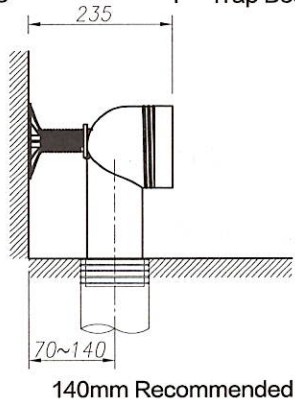


Fig.3 'T' Trap Bedding Installation



3.Lubricate the fins of the pan bend and position into waste pipe.

Fig.4

4.Lubricate rubber on the exposed connector end

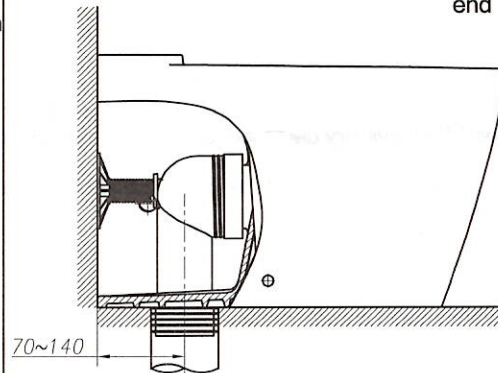


Fig.5 'P' Trap Bedding Installation

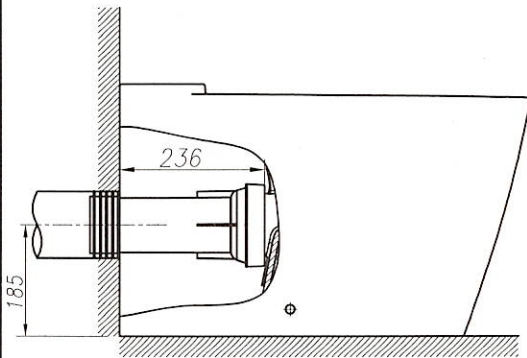


Fig.6

Bracket Fixing Detail

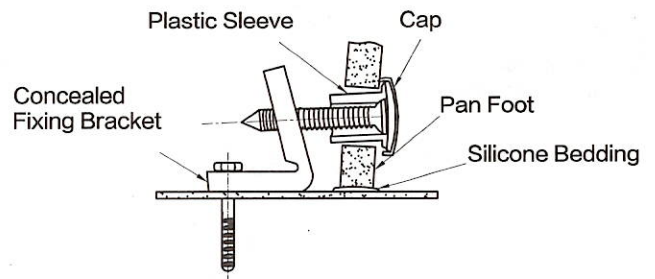
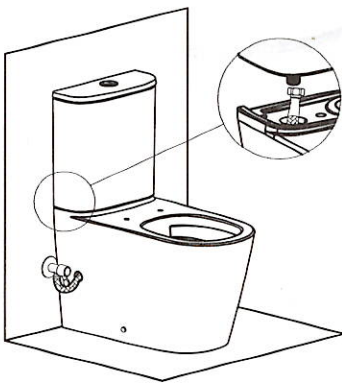


Fig.7



Connect flexible hose to inlet valve and thread other end of flexible hose through side hole on pan, Position cistern onto pan and align the cistern fixing holes with the threaded fixing holes located in the cistern platform. Fit the seals onto the Winged Fixing Bolts.

Fig.8

Install the Toilet Seat



Turn shut-off valve on and check for leaks. If connections are squarely assembled, a slight retightening of thenuts will stop any leaks. Install the toilet seat according to the seat manufacturer's installation instructions.

Install the new toilet with sleeves, screw and attach the caps.

NOTES

Note: The inlet valve can be changed from right to left. The cistern fixes directly to the pan with a robust base fixing system without the need for wall fixing. Installation is subject to the requirements of the applicable regulatory authority, the National Construction Code Volume Three –Plumbing Code of Australia, associated reference standards as applicable at the time and AS 1172.1, AS 1172.2 and AS/NZS 3500 series.

⚠ **WARNING:** Risk of personal injury or product damage: Handle vitreous china products very carefully. Vitreous china can break and chip if you overtighten bolts and nuts.

⚠ **WARNING:** Risk of external leakage. The fill valve nut has been factory-tightened to design specifications. If re-tightening is required, wrench tighten one turn past finger tight .