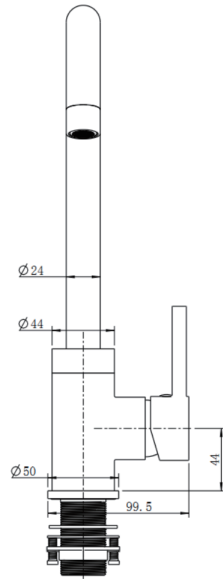
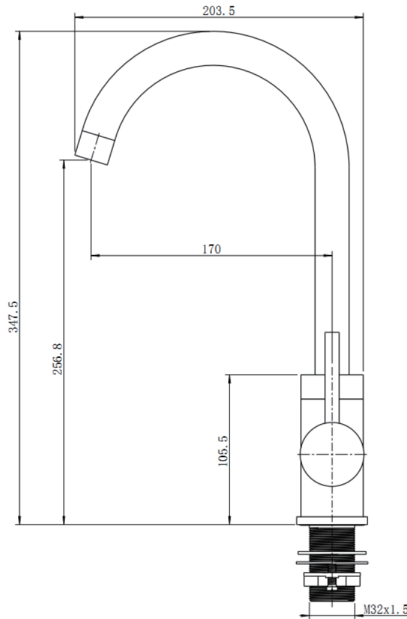


Kitchen Mixers Swivel Kitchen Mixer

SKU: OX1026.KM



www.aquaperla.com.au

SPECIFICATION

Finish: Matte Black

Material: Brass

Dimension: 203.5mmL x 347.5mmH

Pressure Rating: AS/NZS 3500.1-2003 (Clause 3.3.4) specifies 500kPa maximum water supply pressure at any outlet within a building for new installations.

Temperature Rating: Maximum hot temperature 80°C
Minimum 5°C

Water Rating: WELS: 6 Star, 4L/min flow

CLEANING RECOMMENDATIONS

This product should not be cleaned with abrasive materials. Damage caused by any improper treatment is not covered by the product warranty - refer to Warranty Conditions on our website: www.aquaperla.com.au

Disclaimer: Products in this specification manual must by regulation, be installed by licensed and registered trade people. The manufacturer/ distributor reserves the right to vary specifications or delete models from their range without prior notification. Dimensions are nominal measurements only. Dimensions and set-outs listed are correct at time of publication however the manufacturer/ distributor takes no responsibility for printing errors.

