

SINCE 2009

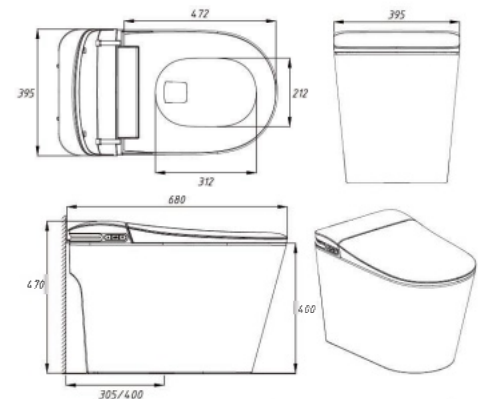


AD-TS-K69

AD-TS-K69-GM



Product Size



Product Information

Size: 684x390x473mm

Packing Size: 860*555*710mm

Rough-in: 200mm

Heating Method: Instant Heating

Flushing Method: Jet Siphon Type

Ceramic Body: With Water Tank

Color: White/Matte Grey



Display mode: Celsius/Fahrenheit

Net Weight: 40kg

Gross Weight: 45kg

Backflow Prevention

Basic Functions

- Rear Wash
- Female Wash
- Warm Air Dryer
- Heated Seat
- Adjustable Water Temp.
- Adjustable Seat Temp.
- Adjustable Dryer Temp.
- Adjustable Nozzle Position
- Nightlight
- Soft-Closing Lid and Seat
- Remote Control
- CO
- Power On Reset
- Auto Flush
- Auto Oper Cover (Radar)
- PA
- Oscillation
- Adjustable Water Pressure
- Emergency Flush
- Deodorizer
- Cleaning Wand Self-Cleaning

Model			
		AD-TS-K69 AUTO OPEN,TANKLESS	AD-TS-K69-GM AUTO OPEN,TANKLESS
Specification	Color	WHITE	MATTE GRAY
	Base Material	Ceramic	Ceramic
	Lid Material	ABS	ABS
	Power Line Length (m)	1.5	1.5
	Heating Method	Instant Heating	Instant Heating
	Flushing Volume (L)	4.5/3	4.5/3
	Certification	WaterMark / WELS / SAA	
	Flushing Mode	Jetting Siphon Flush	Jetting Siphon Flush
	Operation Method	Remote Control/ Side Control Knob	
	Adjustable Water Temperature	4 Levels: Room Temp./34°C/37°C/40°C	
	Adjustable Seat Ring Temperature	4 Levels: Room Temp./33°C/37°C/41°C	
	Adjustable Warm Air Temperature	4 Levels: Room Temp./50°C/55°C/60°C	
	Rated Power (W)	1100	1100
	Rated Voltage (V)	220V	220V
	Rated Water Pressure	0.18-0.5MPa	0.18-0.5MPa
	Rated Frequency (Hz)	50Hz	50Hz
	Net Weight (Kg)	40	40
	Gross Weight (Kg)	45	45
	Product Size (mm)	L684*W390*H473	L684*W390*H473
	Packing Size (mm)	L860*W555*H710	L860*W555*H710
S-TRAP	200mm	200mm	

Basic Features	Adjustable Water Pressure	4 Levels	4 Levels
	Heated Seat	√	√
	Rear Wash	√	√
	Lady Wash	√	√
	Oscillating	√	√
	Massage	√	√
	Spray Wand self-cleaning Before and After Each Use	√	√
	Auto Deodorizer	√	√
	Warm Air Dryer	√	√
	Mobile Dryer	√	√
	Emergency Flushing (When Product Power Off)	√	√
	Remote Control	√	√
	Soft Closing Cover/ Seat	√	√
	Nightlight	√	√
	LED Screen Display	√	√
	Auto Flushing	√	√
	One-tough Mode	√	√
Upgrade Features	Power On Self Test	√	√
	Auto Open Cover (Foot Sensor/ Foot Kick)	√	√
	Auto Close Cover (Foot Sensor/ Foot Kick)	√	√
	Auto Open Seat (Foot Sensor/ Foot Kick)	√	√
	Auto Close Seat (Foot Sensor/ Foot Kick)	√	√
	Auto Flushing (Foot Kick/Foot Sensor)	√	√
	Auto Flushing (Close Cover)	√	√
	Auto Open/ Close Cover (Rader Sensor)	√	√
	Hygiene Antibacterial Glazing and Anti-stick Coating Ceramic	√	√
	Pre-moisture After Seated	√	√
	2 Dedicated Adjustable Spray Outlet for Rear Washand Female Wash	√	√
	Separate Water Way for Lady Spray	√	√
	Automatic Pre- and Post-rinsing of Spray Nozzle with Fresh Water	√	√
	Power Switch	√	√