

SINCE 2009



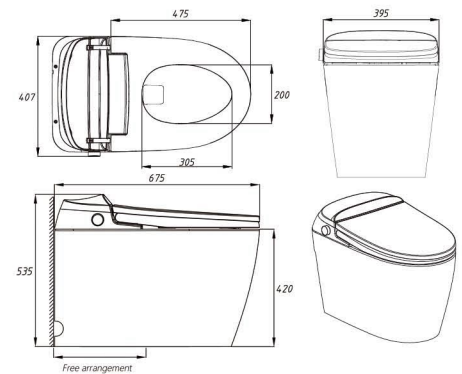
Aqua Perla  
Bathroom & Kitchen Essentials



AD-TS-K10



Product Size



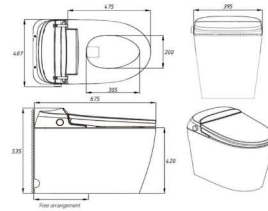
Product Information

Size: 675x395x495mm  
Packing Size: 820\*490\*630mm  
Rough-in: Free arrangement 60-320mm  
Heating Method: Instant Heating  
Flushing Method: Jet Siphon Type  
Ceramic Body: With Water Tank  
Color: White  
Display mode: Celsius/Fahrenheit  
Net Weight: 40kg  
Gross Weight: 45kg  
Backflow Prevention

Basic Functions

- Rear Wash
- Female Wash
- Warm Air Dryer
- Heated Seat
- Adjustable Water Temp.
- Adjustable Seat Temp.
- Adjustable Dryer Temp.
- Adjustable Nozzle Position
- Nightlight
- Soft-Closing Lid and Seat
- Remote Control
- ECO
- Power On Self Test
- Auto Flush
- Auto Open Cover (Radar)
- SPA
- Oscillation
- Adjustable Water Pressure
- Emergency Flush
- Deodorizer
- Cleaning Wand Self-Cleaning

Model



**AD-TS-K10  
AUTO OPEN, TANKLESS**

|                         |   |  |                         |  |          |
|-------------------------|---|--|-------------------------|--|----------|
| <b>Specification</b>    | Color                                     | WHITE                                  | <b>Basic Features</b>   | Adjustable Water Pressure  | 4 Levels |
|                         | Base Material                             | Ceramic                                |                         | Heated Seat  | √        |
|                         | Lid Material                              | ABS                                    |                         | Rear Wash  | √        |
|                         | Power Line Length (m)                     | 1.5                                    |                         | Lady Wash  | √        |
|                         | Heating Method                            | Instant Heating                        |                         | Oscillating  | √        |
|                         | Flushing Volume (L)                       | 4.5/3                                  |                         | Massage  | √        |
|                         | Certification                             | WaterMark / WELS / SAA                 |                         | Spray Wand self-cleaning Before and After Each Use               | √        |
|                         | Flushing Mode                             | Jetting Siphon Flush                   |                         | Auto Deodorizer  | √        |
|                         | Operation Method                          | Remote Control/ Side Control Knob      |                         | Warm Air Dryer   | √        |
|                         | Adjustable Water Temperature              | 4 Levels: Room Temp./34 °C/37 °C/40 °C |                         | Mobile Dryer   | √        |
|                         | Adjustable Seat Ring Temperature          | 4 Levels: Room Temp./33 °C/37 °C/41 °C |                         | Emergency Flushing (When Product Power Off)                      | √        |
|                         | Adjustable Warm Air Temperature           | 4 Levels: Room Temp./50 °C/55 °C/60 °C |                         | Remote Control   | √        |
|                         | Rated Power (W)                           | 1100                                   |                         | Soft Closing Cover/ Seat   | √        |
|                         | Rated Voltage (V)                         | 220V                                   |                         | Nightlight   | √        |
|                         | Rated Water Pressure                      | 0.18-0.5MPa                            |                         | LED Screen Display   | √        |
|                         | Rated Frequency (Hz)                      | 50Hz                                   |                         | Auto Flushing  | √        |
|                         | Net Weight (Kg)                           | 40                                     |                         | One-tough Mode   | √        |
|                         | Gross Weight (Kg)                         | 45                                     |                         |  |          |
|                         | Product Size (mm)                         | L675*W395*H495                         |                         |  |          |
|                         | Packing Size (mm)                         | L820*W490*H630                         |                         |  |          |
| S-TRAP                  | Free arrangement 60-320mm                 |  |                         |  |          |
| <b>Upgrade Features</b> | Power On Self Test                        | √                                      | <b>Upgrade Features</b> | Auto Open/ Close Cover (Rader Sensor)                            | √        |
|                         | Auto Open Cover (Foot Sensor/ Foot Kick)  | √                                      |                         | Hygiene Antibacterial Glazing and Antistick Coating Ceramic      | √        |
|                         | Auto Close Cover (Foot Sensor/ Foot Kick) | √                                      |                         | Pre-moisture After Seated  | √        |
|                         | Auto Open Seat (Foot Sensor/ Foot Kick)   | √                                      |                         | 2 Dedicated Adjustable Spray Outlet for Rear Washand Female Wash | √        |
|                         | Auto Close Seat (Foot Sensor/ Foot Kick)  | √                                      |                         | Separate Water Way for Lady Spray                                | √        |
|                         | Auto Flushing (Foot Kick/Foot Sensor)     | √                                      |                         | Automatic Pre- and Post-rinsing of Spray Nozzle with Fresh Water | √        |
|                         | Auto Flushing (Close Cover)               | √                                      |                         | Power Switch   | √        |