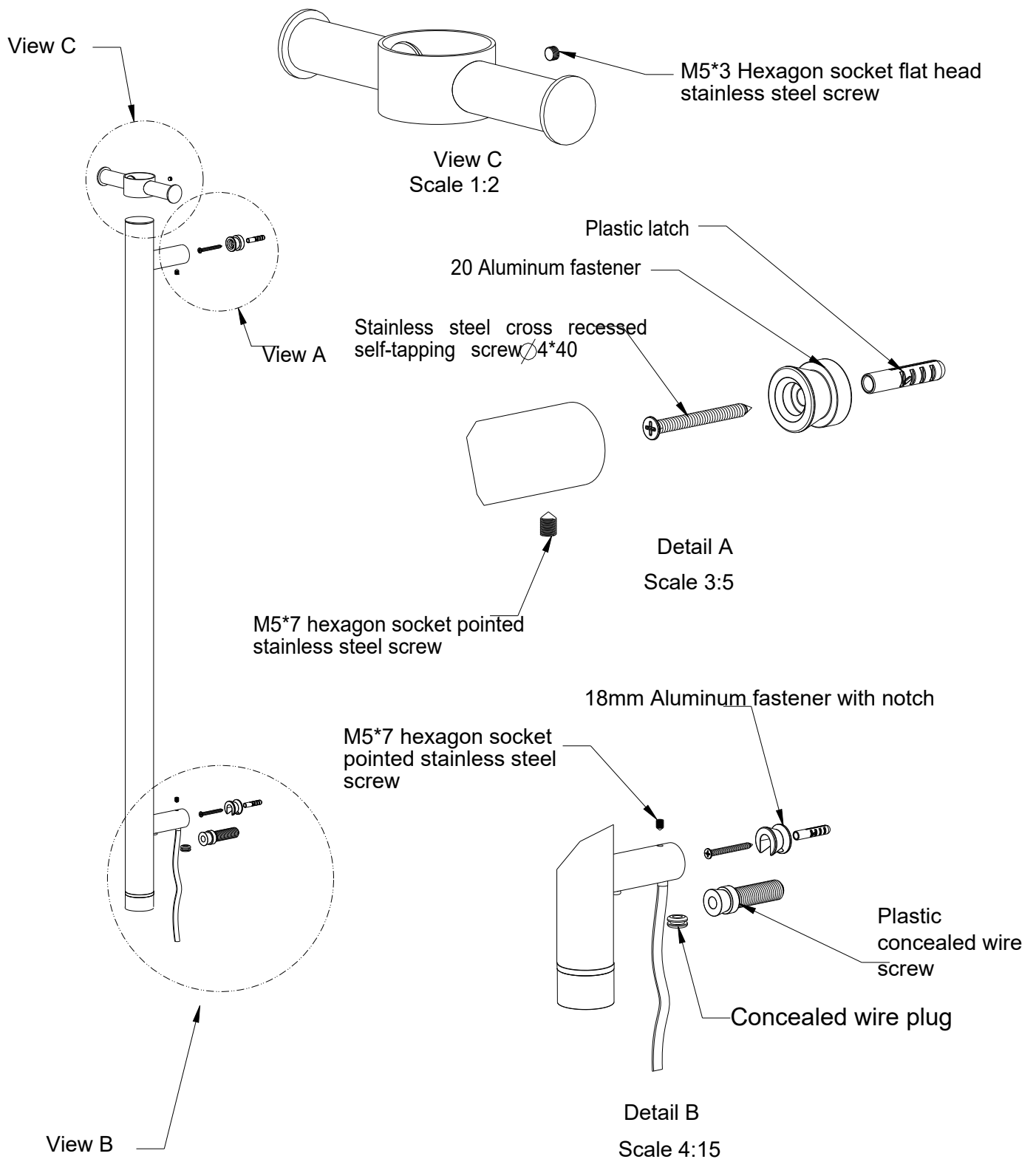


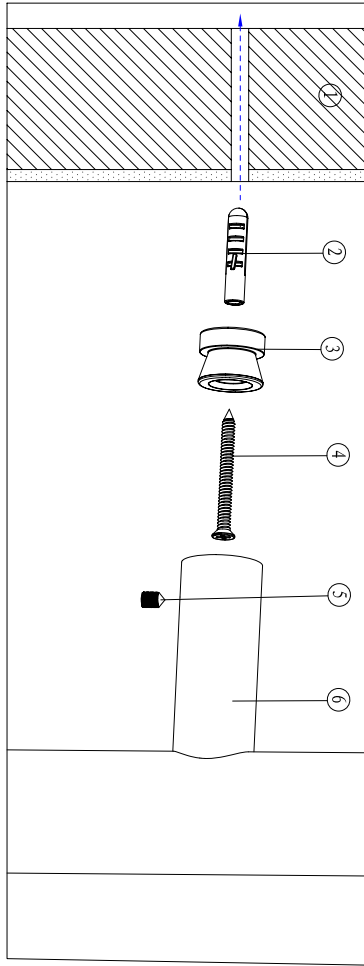
AQUAPERLA

Electric Heated Towel Bar VER-T.HTR Instruction Manual

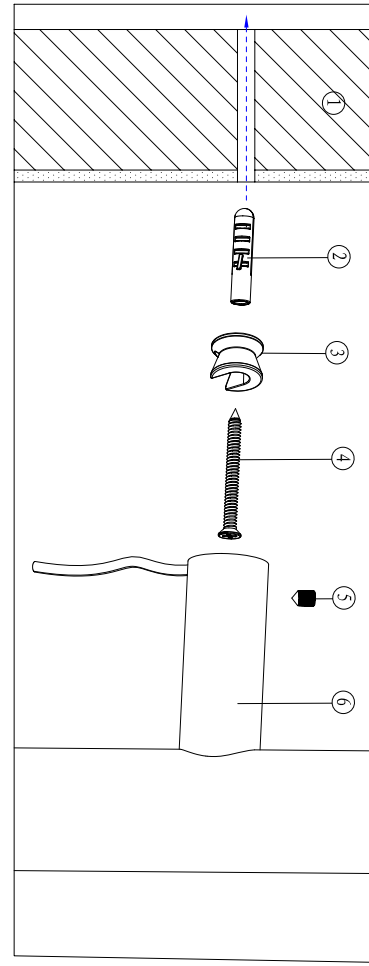


Installation steps

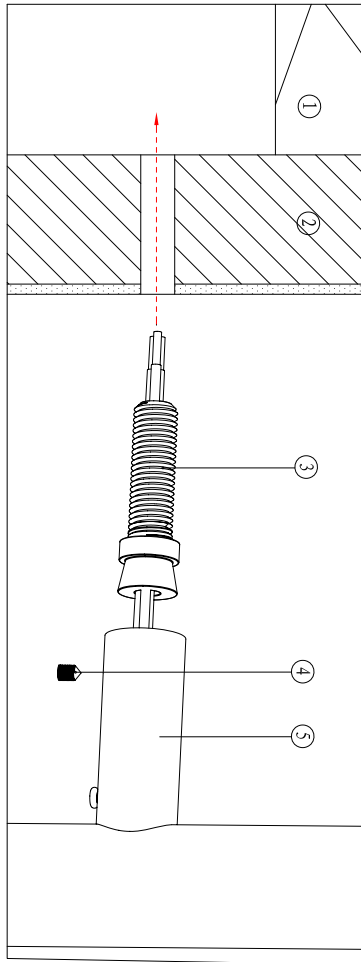
1



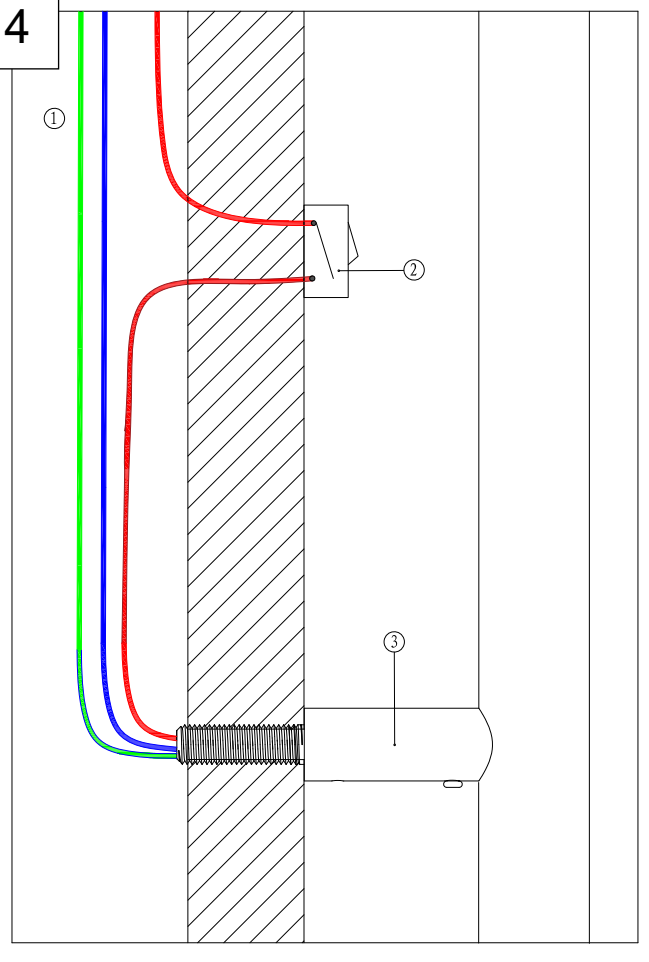
2



3



4



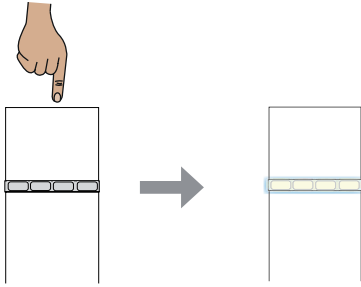
Users Manual

standby mode

To activate the timer functions, the towel warmer must be powered. Plug it in, or turn on the external switch if installed as a fixed connection. When the towel warmer receives power, the lights will flash briefly and then turn off. The towel warmer is now in standby mode and ready for use.

Continuous Operation

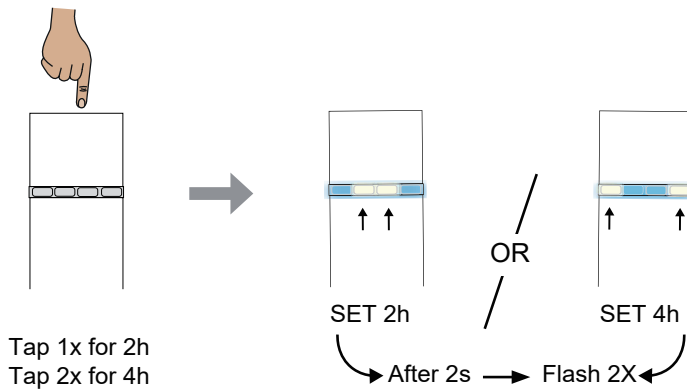
With this function, the product stays on continuously and keeps warm until you turn it off manually.



1. Press and hold the button for 3 seconds.
2. When all the lights turn on, the towel warmer is in continuous mode.
3. It will now stay warm until you manually turn it off.
4. To turn it off, press the button quickly once.

Simple Timer Function

With this function, the product turns on immediately and switches off automatically after 2 or 4 hours.



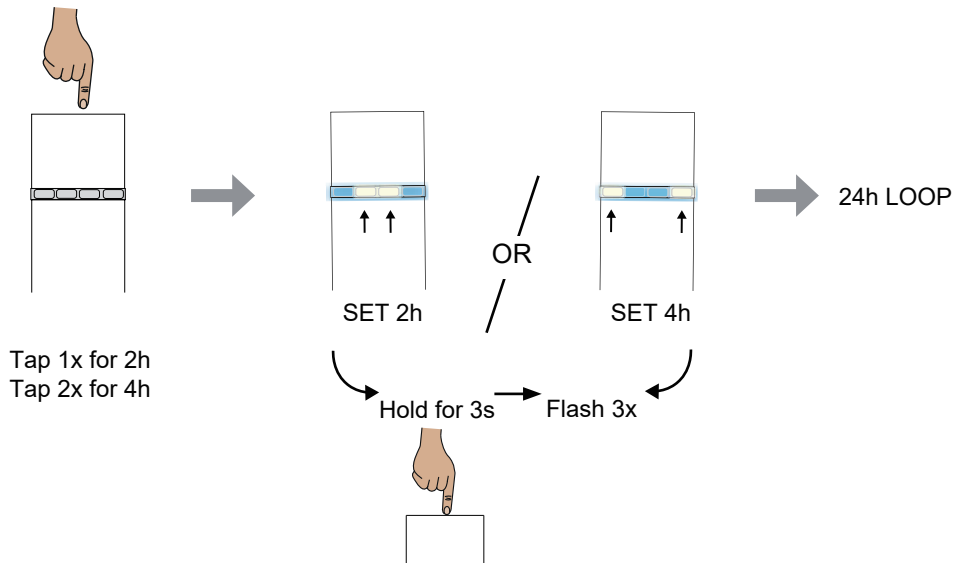
1. Press the button once → 2 hours of operation
2. Press the button twice quickly → 4 hours of operation
3. The light blinks twice to confirm your selection.

Once you've selected the time (2h or 4h), the device starts and will automatically turn off when the time is up.

4. To cancel the function and turn off the towel warmer, press the button quickly once.

Cycle Mode

This function allows the product to automatically repeat a daily cycle, for example: 2 hours on – 22 hours off, or 4 hours on – 20 hours off.



1. Start as with the simple timer:

- Press once for 2h
- Press twice for 4h

2. Press and hold the button for 3 seconds → the light blinks 3 times = cycle mode is activated

The device will now:

- Stay on for 2 or 4 hours
- Then remain off for 22 or 20 hours, the light indicates that it is in cycle mode by pulsing
- This cycle repeats automatically every 24 hours

3. To cancel this function and turn off the towel warmer, press the button quickly once.