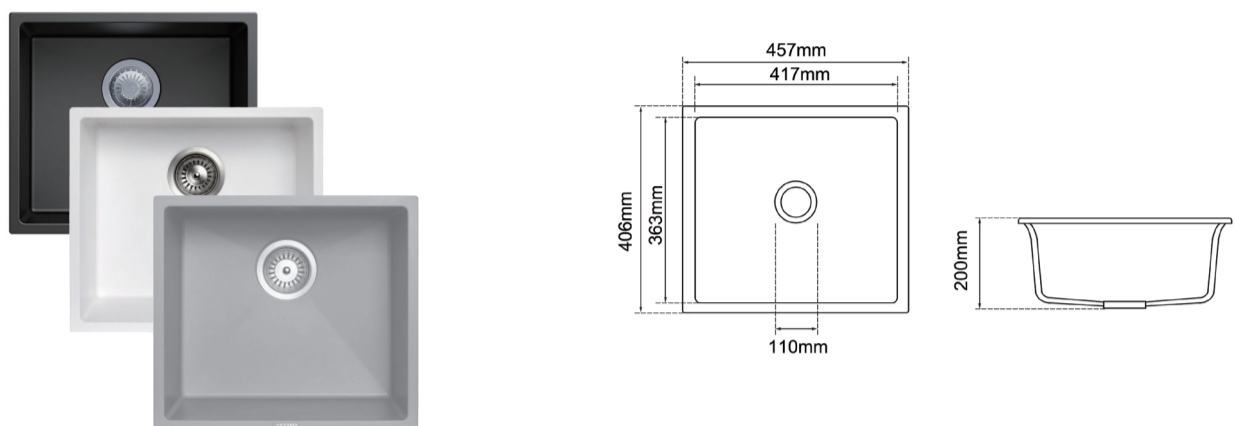


Carysil Kitchen Sink

SKU: OX4540.KS / WH4540.KS / TWM-MSG



www.aquaperla.com.au

SPECIFICATION

Color Availability: White / Black / Grey

Material: Granite

Dimension: 457mmL x 406mmW x 200mmH

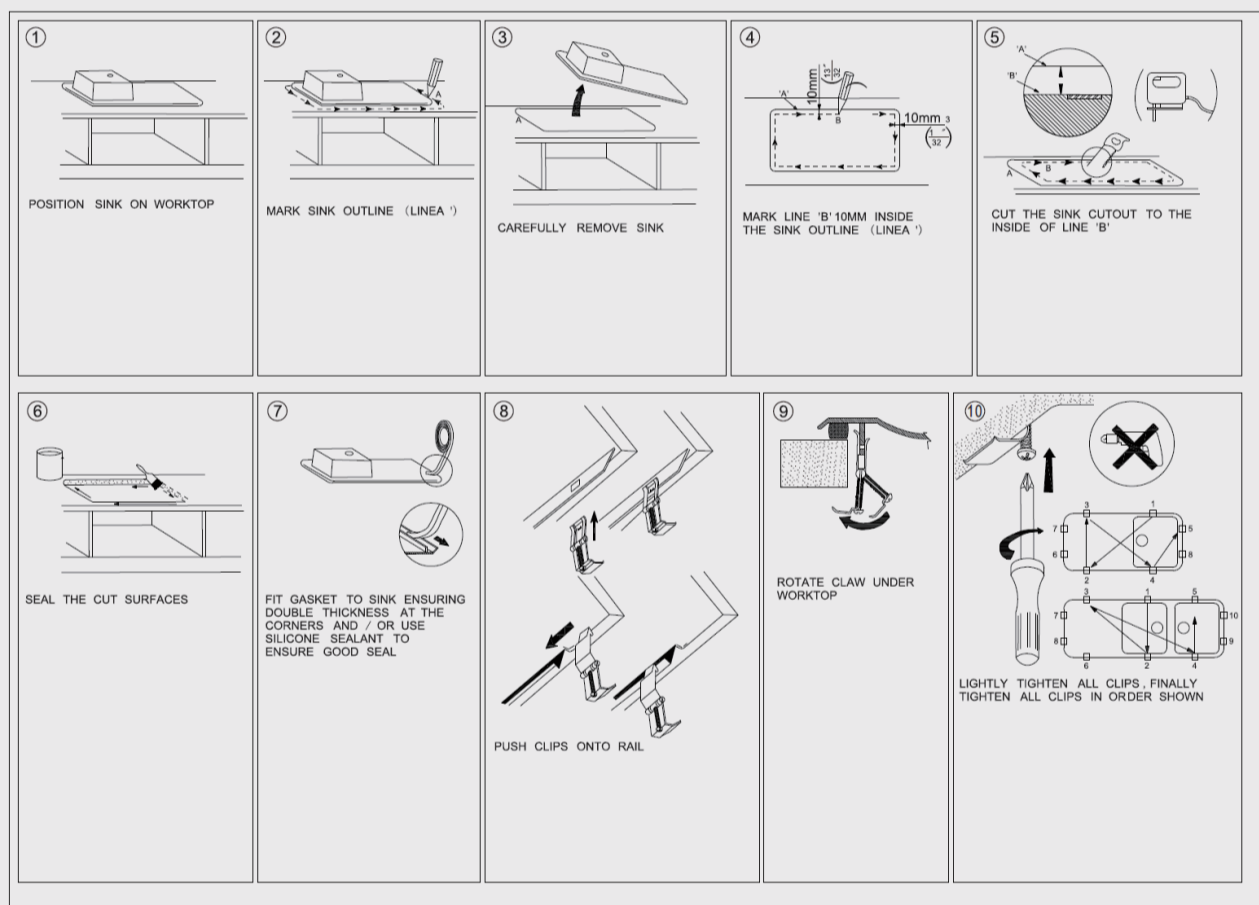
Weight: 8.40KG

Package Size: 560*510*300 mm

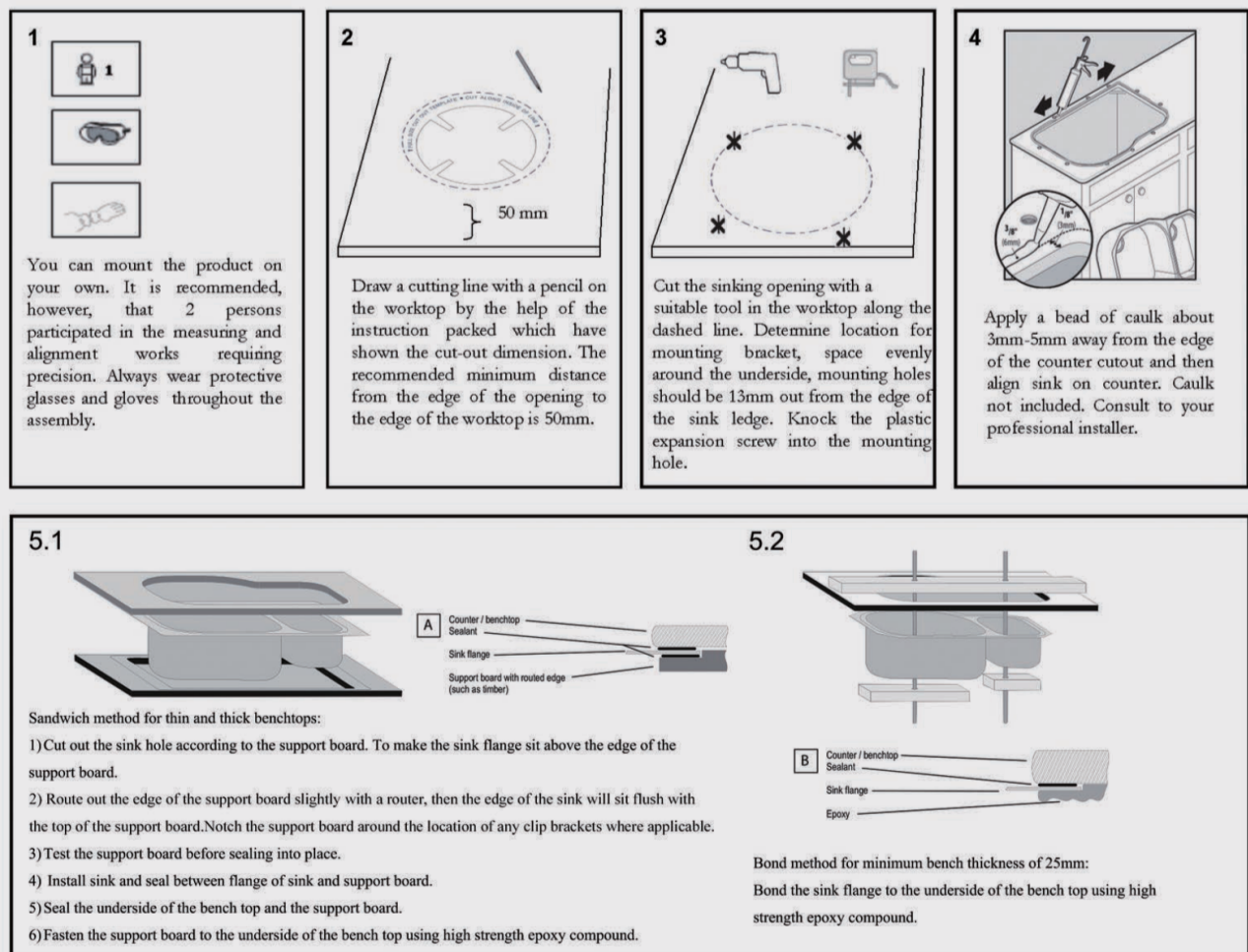
Spec.: Single Bowl Kitchen Sink

Installation: Top/Flush/Under Mount

Instructions for Top Mounted Sinks



Instructions for Under Mounted Sinks



CLEANING RECOMMENDATIONS

This product should not be cleaned with abrasive materials. Damage caused by any improper treatment is not covered by the product warranty - refer to Warranty Conditions on our website: www.aquaperla.com.au

Disclaimer: Products in this specification manual must by regulation, be installed by licensed and registered trade people. The manufacturer/ distributor reserves the right to vary specifications or delete models from their range without prior notification. Dimensions are nominal measurements only. Dimensions and set-outs listed are correct at time of publication however the manufacturer/ distributor takes no responsibility for printing errors.