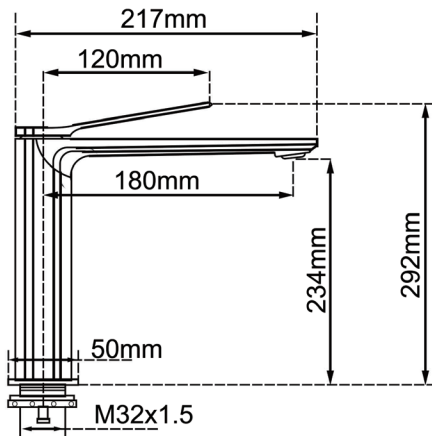


Rushy Series Basin Mixer

SKU: OX0149.BM



www.aquaperla.com.au

SPECIFICATION

Finish:	Matte Black/ Polished
Material:	Brass
Dimension:	217mmL x 292mmH
Pressure Rating:	Maximum operating pressure 1000kPa Note: For best performance and longer life we recommend 300-800kPa
Temperature Rating:	Maximum hot temperature 80°C Minimum 5°C
Water Rating:	WELS: 5 star, 5L/min flow

CLEANING RECOMMENDATIONS

This product should not be cleaned with abrasive materials. Damage caused by any improper treatment is not covered by the product warranty - refer to Warranty Conditions on our website: www.aquaperla.com.au

Disclaimer: Products in this specification manual must by regulation, be installed by licensed and registered trade people. The manufacturer/ distributor reserves the right to vary specifications or delete models from their range without prior notification. Dimensions are nominal measurements only. Dimensions and set-outs listed are correct at time of publication however the manufacturer/ distributor takes no responsibility for printing errors.

