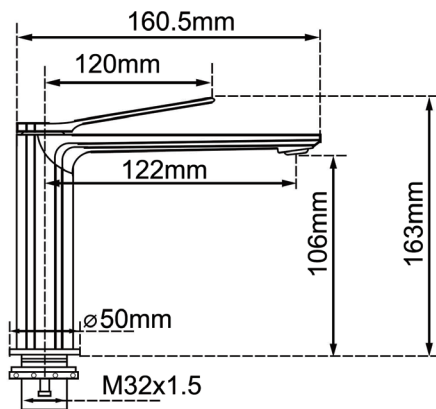


## Rushy Series Basin Mixer

SKU: BU0128.BM



[www.aquaperla.com.au](http://www.aquaperla.com.au)

## SPECIFICATION

|                     |  |
|---------------------|--|
| Finish:             | Brushed Nickel/ Polished   |
| Material:           | Brass  |
| Dimension:          | 160.5mmL x 163mmH  |
| Pressure Rating:    | Maximum operating pressure 1000kPa<br>Note: For best performance and longer life we recommend 300-800kPa |
| Temperature Rating: | Maximum hot temperature 80°C<br>Minimum 5°C  |
| Water Rating:       | WELS: 5 star, 5L/min flow  |

## CLEANING RECOMMENDATIONS

This product should not be cleaned with abrasive materials. Damage caused by any improper treatment is not covered by the product warranty - refer to Warranty Conditions on our website: [www.aquaperla.com.au](http://www.aquaperla.com.au)

Disclaimer: Products in this specification manual must by regulation, be installed by licensed and registered trade people. The manufacturer/ distributor reserves the right to vary specifications or delete models from their range without prior notification. Dimensions are nominal measurements only. Dimensions and set-outs listed are correct at time of publication however the manufacturer/ distributor takes no responsibility for printing errors.

