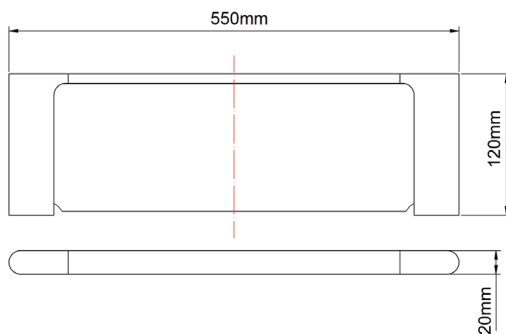


# AU Series 550mm Glass Shelf

SKU: 8014.TR



[www.aquaperla.com.au](http://www.aquaperla.com.au)

## SPECIFICATION

Accessory Type    550mm Glass Shelf

Color Availability:    2 Colors

Material:    Zinc-alloy + Brass

Dimension:    550mmL x 120mmH

## CLEANING RECOMMENDATIONS

This product should not be cleaned with abrasive materials. Damage caused by any improper treatment is not covered by the product warranty - refer to Warranty Conditions on our website: [www.aquaperla.com.au](http://www.aquaperla.com.au)

Disclaimer: Products in this specification manual must by regulation, be installed by licensed and registered trade people. The manufacturer/ distributor reserves the right to vary specifications or delete models from their range without prior notification. Dimensions are nominal measurements only. Dimensions and set-outs listed are correct at time of publication however the manufacturer/ distributor takes no responsibility for printing errors.